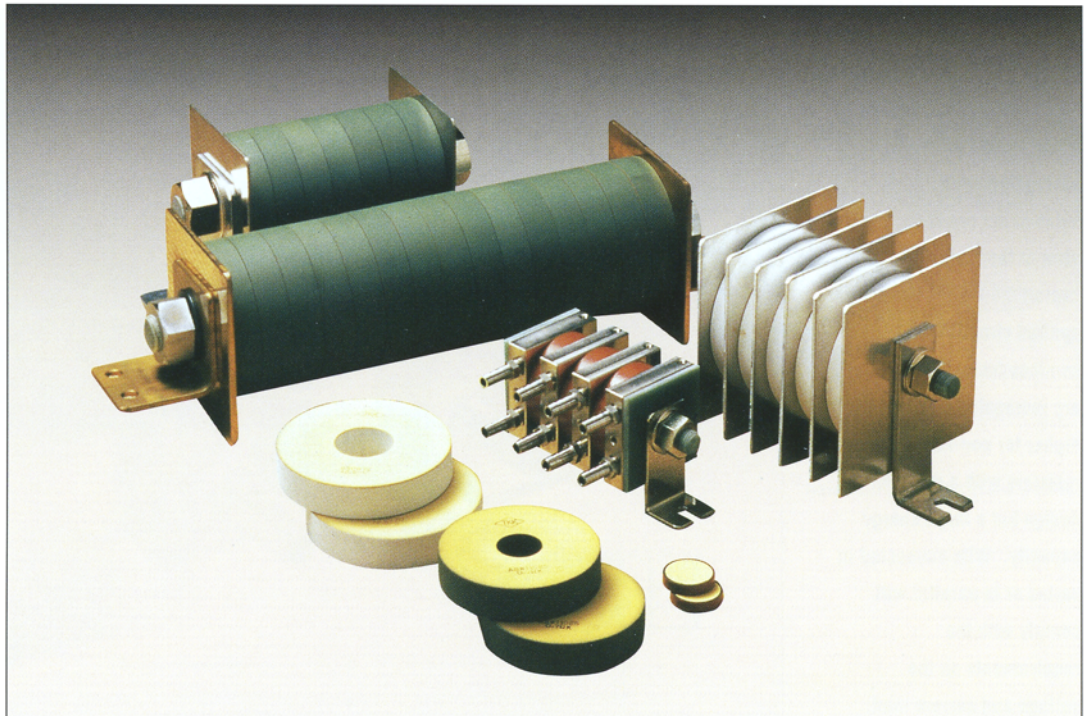


# DISK TYPE (ASD AND ASW)

ASD and ASW are our proprietary resistors unparalleled in our country to provide the circuits with a large current at a high voltage, developed based on the most advanced technology inherent in TOKAI. The ideal applications are shown right.



### TYPICAL APPLICATIONS:

Breaking & closing of SF<sub>6</sub> gas circuit breaker, impulse generator control, capacitor discharge, transformer on load tap changers, surge absorber, and high-voltage high-current circuits

### CHARACTERISTICS:

Item	ASD.ASW Characteristics
Bulk density:	2.65
Specific heat:	500~750J/(kg·K)
Thermal conductivity:	1.2W/(m·K)
Temperature coefficient:	-0.05~-0.1%/°C

Item	ASD.ASW Characteristics
Thermal expansion coefficient:	4.0~7.0×10 <sup>-6</sup>
Max working temperature:	250°C
Allowable injection energy:	300J/cm <sup>3</sup>
Contact pressure:	0.39Mpa

### ASD.ASW STANDARD SPECIFICATIONS:

Type No.	Dimensions (mm)			Resistance Value Range(Ω)	Allowable Injection Energy (J)
	φ D	φ d	t		
ASD 4025	40±0.5	—	25±0.5	1.6~100	9.0k
ASD 6025	60±0.8	—	25±0.5	0.7~90	21.0k
ASD 7525	75±0.8	—	25±0.5	0.5~56	33.0k
ASD 9525	95±0.8	—	25±0.5	0.3~36	52.5k
ASW 7525	75±0.8	30±0.8	25±0.5	0.5~78	27.6k
ASW 9525	95±0.8	30±0.8	25±0.5	0.3~40	47.0k
ASW 11025	110±1.0	30±0.8	25±0.5	0.2~28	65.5k
ASW 12025	120±1.0	30±0.8	25±0.5	0.2~24	79.5k
ASW 12725	127±1.5	33±1.5	25±0.5	0.2~20	88.5k

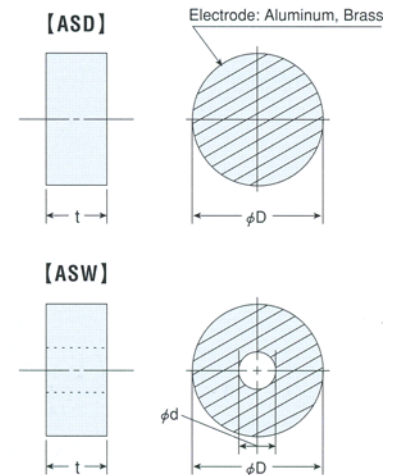


Fig. 16 Specific Resistance vs. Impulse Withstand Voltage (1.2×50μs)

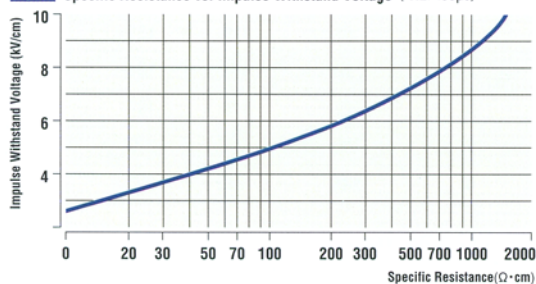


Fig. 17 Time vs. Withstand Voltage

