

Series SWS - 2

The SWS - 2 resistor is a low ohmic, high current pulse load resistor designed for usage as a protective resistor, where no further resistor cooling is available.

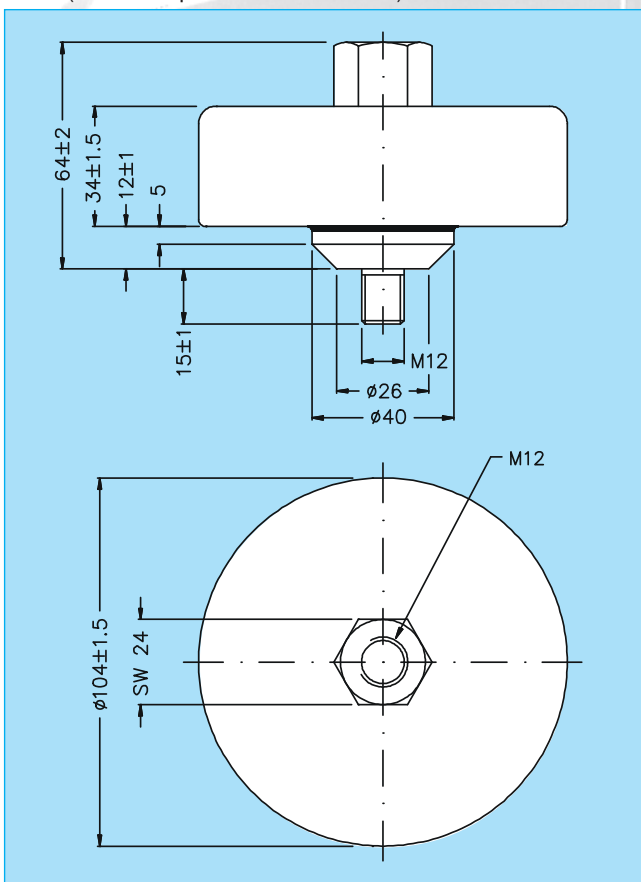
As per DIN VDE 0123:1985 the SWS-2 resistor does not need any further maintenance if the resistor gets used according to the specified technical data. For safety reasons a regular visual inspection and check of ohmic value is suggested at least every 2 years, better once a year.

Because of using stainless steel material, a long life expectancy is also part of the advantages for this resistor version. The very easy handling of the SWS-2 will be another advantage for applications where service is requested!



Dimensions:

(For example: 100mΩ resistor)



Specifications:

- Ohmic value:
< 0.5 Ohm - others on request
- Tolerance:
+/- 10 % for standard,
also +/-5% available
- Cont. power load:
125 Watts without additional
cooling
- Max. peak current:
Depending on ohmic value!
For example:
3,500 Amps/100ms for a
100mΩ resistor (it is suggested
to perform an ohmic and visual
check after such high current
pulses!)
- Max. peak voltage:
350V for 100ms
- Max. weight:< 1100g
- Max. mounting torque: 100Nm
- Recommended torque: 75Nm

In the above spec sheet, you will find our standard product, please contact your local manufacturing representative or call us direct to find out details of other options available regarding this style. Please see our website for the most updated information!