

**KILOVAC MAP100 Series Contactor with 1 Form A (SPST-NO)
Contacts Rated up to 100 Amps, 12-900 Vdc**

Product Facts

- Solid copper contacts designed for high current carry military aerospace, ground vehicle and naval applications
- Hermetically sealed, intrinsically safe, operates in explosive/harsh environments with no contact oxidation or contamination of coil or contacts, during long periods of non- operation
- Comes standard with 1 SPST-NO Aux. contact
- Not position sensitive, can be mounted in any orientation



Physical Data

Contact Arrangement —
Main Contacts —
SPST-Latching (or NO Form X)
1X Auxiliary Contact —
SPST-NO (form A)

Dimensions — See drawing

Weight, Nominal —
0.35 Kg (12.35 oz)

Environmental Data

Shock, 11ms 1/2 Sine (Operating) — 20 G_{peak}

Sine Vibration, 20 G_{peak} —
55-2000 Hz

Random Vibration, 14.06 Grms —
15 Hz (.002 G²/Hz), 100 Hz (.002 G²/Hz),
450 Hz (.12 G²/Hz), 900 Hz (.12 G²/Hz),
2000 Hz (.083 G²/Hz)

Operating Temperature Range —
-55°C to +85°C

Electrical Data

Voltage Rating —
Main Contacts (max) — 400 Vdc
Auxiliary Contacts — 30 Vdc

Current Rating, Continuous —
Main Contacts 1 — 100 A
Auxiliary Contacts — 3 A

Contact Resistance —
Main Contacts —
100 mΩ max @ 1 amp
0.75 mΩ max @ rated current
Auxiliary Contacts —
200 mΩ max

Electrical Life at Rated Current, 270 Vdc, Resistive Load —
15,000 cycles

Mechanical Life — 100,000 cycles

Dielectric Withstand Voltage —
Terminal to Terminal/ Terminals to Coil —
1mA max @ 1,300Vrms

Insulation Resistance —
Terminal to Terminal/ Terminals to Coil —
100MΩ min @ 500Vdc new
50MΩ min @ 500Vdc end of life

Note:
1 Continuous current rating is affected by conductors attached. Keep terminals below 150°C max continuous.

Coil Data

Coil Voltage, Nominal/ Max —
28/ 32 Vdc

Coil Resistance @ 25°C —
Contacts Close Coil — 18 Ω
Contacts Open Coil — 13 Ω

Pick Up/ Drop Out (Max) —
16 Vdc (-55°C to +25°C)
18 Vdc (+25°C to +85°C)

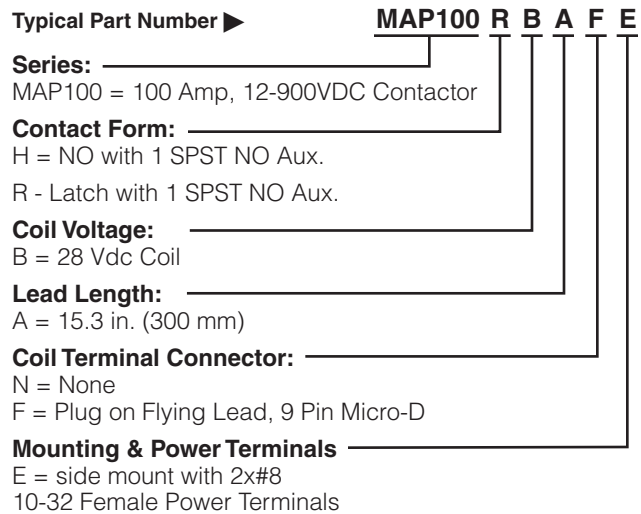
Coil Current (Max) @ 32Vdc/ -40°C — 4.0 A

Coil Current On Time (Minimum Required to Latch) — 40 ms

Main Contacts —
Operate Time (Max) — 40 ms
Operate Bounce (Max) — 5 ms
Release Time — 25 ms

Auxiliary Contacts Operate/ Release — Within ± 5 ms of main

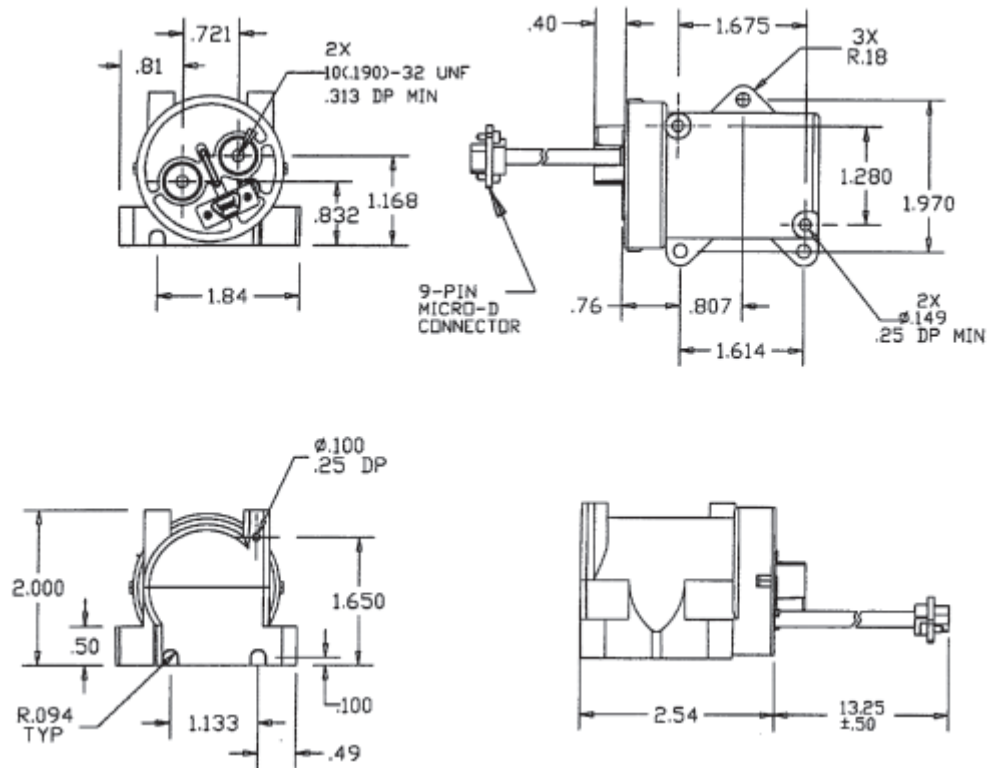
Ordering Information



For factory-direct application assistance, dial 800-253-4560, ext. 2055, or 805-220-2055.

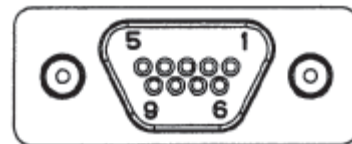
KILOVAC MAP100 Series Contactor (Continued)

Outline Dimensions



Connector Pin-Out

1	Not Connected
2	Aux. NO
3	Close Return
4	Close Return
5	+28Vdc
6	Aux. Com.
7	Open Return
8	Open Return
9	+28V



For factory-direct application assistance, dial 800-253-4560, ext. 2055, or 805-220-2055.