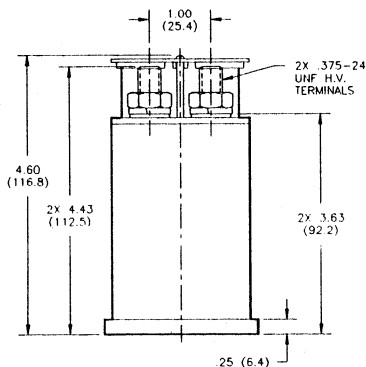
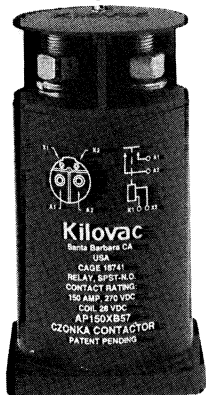


KILOVAC AP150X (Form X, Electrically Held) and AP150P (Form P, Latching) 150 Amps ("CZONKA")

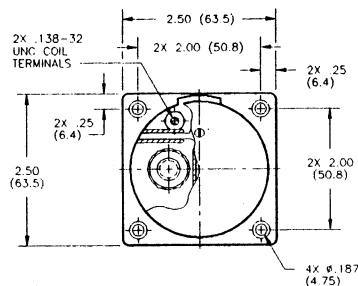
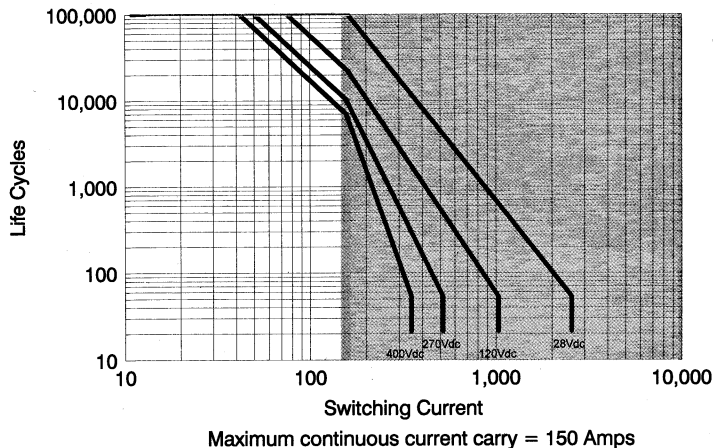


Note: Dimensions are expressed as inches (mm).

Features:

- 150 A carry, 500 A overload @ 270 Vdc
- Ideal for circuit protection, control, and battery switching
- Versatile power, voltage, and current operating range
- Bi-directional switching
- Electrically held and latching coil versions
- Fast operate and release time
- Low power consumption
- Vacuum-sealed contacts; can operate in harsh environments
- Qualified to SAE ARD 50031 270 Vdc General Relay Spec.
- Space-rated version built in accordance with customers SCD.

CONTACT RATINGS*



* Based on data extrapolated from qualification at 270 Vdc with resistive load. Since each application is unique, user is encouraged to verify rating in actual application

PRODUCT SPECIFICATIONS

Part Number	UNIT	AP150X	AP150P
Contact Arrangement		SPST-NO	SPST
Contact Form		X	P
Rated Resistive Load @ 270 Vdc	A	150	150
Continuous Current Carry, Max.	A	150	150
Overload Make & Break @ 270 Vdc	A	400/500*	400/500*
Contact Resistance, Max.	mohm	1	1
Dielectric at Sea Level			
Power Terminals to Terminal	Vms	2,000	2,000
Power Terminals to all Other Points	Vms	1,800	1,800
Shock, 11ms 1/2 Sine (peak)	g	35	35
Vibration, Sinusoidal (55-2000 Hz, peak)	g	20	20
Operating Ambient Temperature Range	°C	-55 to +85	-55 to +85
Load Life, @ 270 Vdc, Min.	cycles	10,000	10,000
Operate Time (28 Vdc, 25°C)			
Close (includes bounce), typical	ms	35	15
Bounce (after close only), Max.	ms	8	5
Open (includes arcing), Max.	ms	10	15
Insulation Resistance @ 500 Vdc, Min.	Mohm	100/50	100/50
Initial/End of Life			
Weight, Nominal	pound (kg)	1.66 (0.753)	1.66 (0.753)

* 500 = at beginning of life which is 0 to 5,000 cycles, 400 = at end of life which is 5,000 to 10,000 cycles

COIL DATA

Parameter	Units	Elec. Held	Latching
Voltage* (nominal)	Vdc	28	28
Pickup (close), max.	Vdc	23	20
Dropout (open), max.	Vdc	1.0	20
Coil Resistance	Omhs	52	13**
@ 25°C	10%		
Coil Duty, recommended		continuous	100ms to toggle
Coil Energy, max.	J	0.10	0.10
Coil Clamping		2.5 x nom.	500W/ms TVS

* 12, 120Vdc, or other special coil voltages available upon request.
** 2 coils are used, both are high common. Switch coil power from low side. High side coil power switch is a special order.

PART NUMBER SELECTION

Sample Part No. **AP150** **X** **B** **5** **7**

Contact Form _____
 X = SPST-NO Elec. Held
 P = SPST, Latching

Coil Voltage _____
 A = 12 Vdc, Stud Terminals, .138-32
 B = 28 Vdc, Stud Terminals, .138-32
 C = 120Vdc, Stud Terminals, .138-32

Power Terminals _____
 5 = Stud Terminals, .375-24

Mounting _____
 7 = Panel Mount