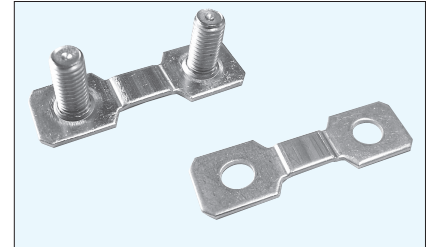


ISA-WELD SHUNT RESISTORS **BVD-A**

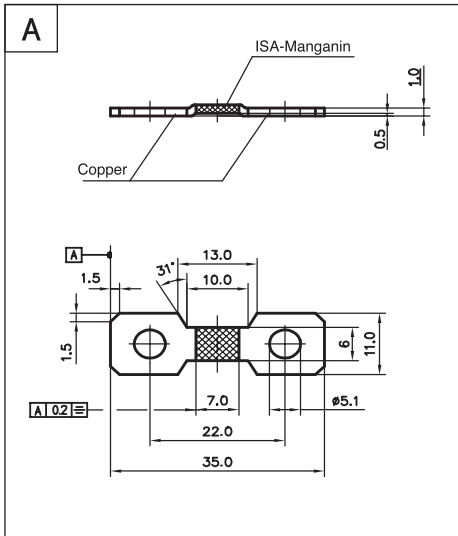
Max. Current (Permanent) 75A

Type	Load Capacity (W)*	Resistance Range (Ω)	Tolerance (%)	Temp. Coefficient (20°C~60°C)	Operating Temp.	Internal Heat Resistance (°C/W)	Weight(g)
BVD-A	3	0.5m	±5	±50ppm/°C	-55°C~+140°C	10°C/W	2.5

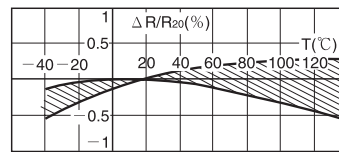
*Referring to power derating curve. Proper measures for heat radiation should be taken.



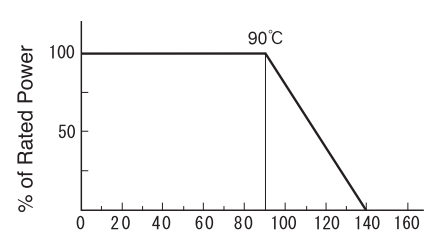
Shape & Dimensions



Resistance Change Versus Temp. (ISA Manganin)

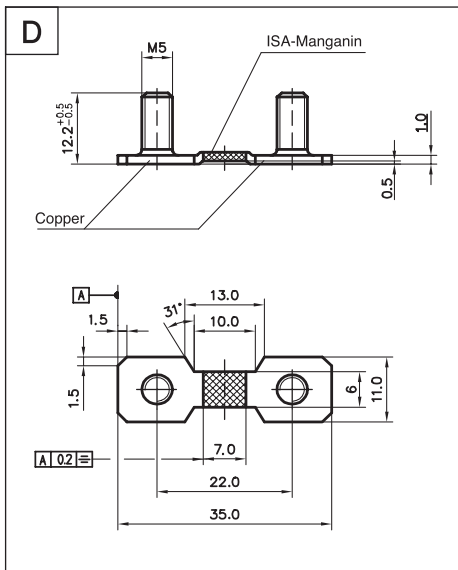
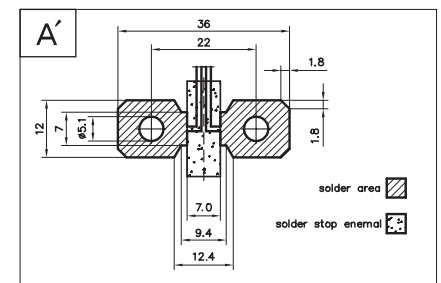
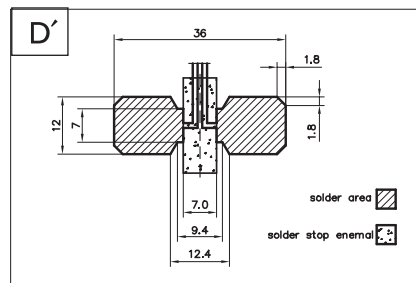


Power Derating Curve



CAUTION Terminal Temperature(°C)

Proposal for PCB-Layout



Performance

Parameters	Test Conditions	Specification
Thermal Shock	-65°C, 25°C, 125°C, 25°C 25cycles	±0.1%
Over load	5×Wattage Rating 5sec	±0.2%
Resistance to Solvents	IPA 3min	No damage
Resistance to Soldering Heat	260°C 10sec	±0.2%
Moisture Resistance	Near 100%RH, +25°C, +65°C, -10°C 10cycles (10days)	±0.2%
Vibration, High Frequency	MIL-STD-202 Method 204D-B	±0.2%
Load Life (stability)	1.5HrON, 0.5HrOFF 2000Hr	±0.5%
High Temperature Exposure	140°C, 2000Hr	±0.3%
Current Noise	MIL-STD-202 method 308	±0.01%
Thermal EMF(μV / °C)	0~100°C	2μV/°C max
Frequency Characteristic	Inductance	<3nH

How to order

BVD-A **A** **0.5mΩ** **±5%**
 Type Shape Resistance Tolerance

- Standard Resistance (Stock)
 BVD-A-A 0.5mΩJ (±5%)
 BVD-A-D 0.5mΩJ (±5%)