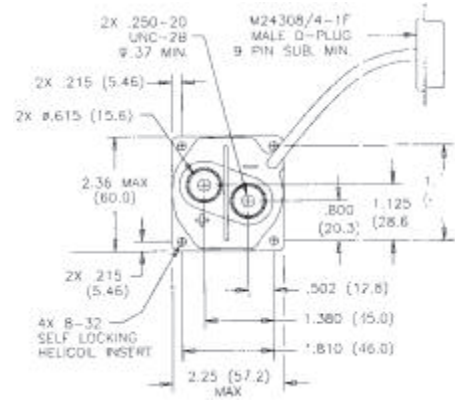
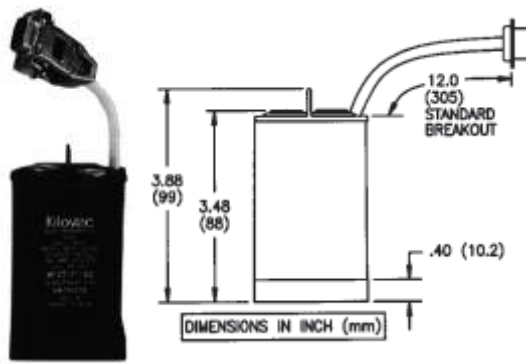


AP265 (Form X, Electrically Held) & AP265P (Form P, Latching) 265 Amps

CZONKA II Contactor Product Facts

- 265 A carry, 1000 A overload @ 270 Vdc
- Bi-directional power switching
- Auxiliary Contacts
- Electrically held and latching coil versions
- Built-in coil drivers for electrically held (5W hold) and latching (coil pulser)
- Coil drivers EMC qualified to most of the requirements of MIL-STD-461D
- Versatile power, voltage, and current operating range
- Excellent for safety disconnect and transfer switch applications
- Designed for main generator loads
- Suitable for circuit protection and control
- Remote Power Controller version with overload protection available — contact factory for more information
- Hermetically-sealed contacts; can operate in harsh environments
- Space-rated version built in accordance with customers SCd
- Meets many requirements of MIL-PRF-32085



Product Specifications

Contact Arrangement Mains —
 AP265X — Form X — SPST-NO
 Form A — 2 x SPST-NO
 AP265P — Form X — SPST
 Form A — 2 x SPST

Polarity (Carry and Switching) —
 Bi-directional

Rated Resistive Load @ 270 Vdc —
 265 A

Continuous Current Carry, Max. —
 265 A

Overload Current @ 270 Vdc, Max. —
 Make and Break — 600 A
 Break Only — 1000 A

Contact Resistance, Max. —
 0.3 mohm

Dielectric at Sea Level (< 1 mA leakage) —
 Power Terminals to Terminal — 1,000 Vrms
 Power Terminals to All Other Points — 1,000 Vrms

Shock, 11ms, 1/2 Sine (Peak) —
 25 g

Vibration, Sinusoidal (55-2000 Hz, Peak) —
 10 g

Operating Ambient Temperature Range —
 -55°C to +85°C

Load Life @ 270 Vdc, Min. —
 See graph above

Operate Time (28 Vdc, 25°C) —
 Close (Includes Bounce), Typ. — AP265X — 20 ms
 AP265P — 10 ms

Bounce (After Close Only), Max. —
 5 ms

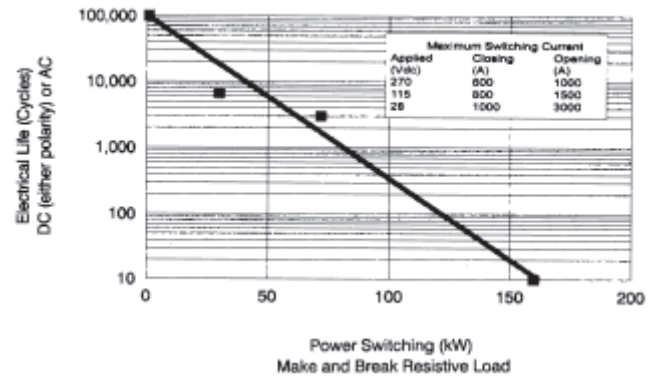
Open (Includes Arcing), Max. —
 15 ms

Insulation Resistance @ 500 Vdc, Min. —
 Initial/End of Life — 100 mohm/50 mohm

Weight, Nominal —
 1.7 lb (0.77 kg)

Electrical Life Cycles vs Power Switching

(Data from 270 Vdc testing @ 265A, 95% Weibull Reliability)



Coil Data

	AP265X	AP265P
Type Driver	"PWM" Econ.	Pulser
Voltage, Nominal	28 Vdc	28 Vdc
Pickup (Close), Max.	20 Vdc	12 Vdc
Dropout (Open), Max.	11 Vdc	12 Vdc
Current @ 28 V, 25°C		
Inrush	1.8 A	2.6 A
Holding (Standby)	0.20 A	<0.05 A
Inrush Time, Max.	100 ms	100 ms

Ordering Information

Sample Part Number ▶ **AP265 X E 9 7**

Series: _____

Contact Form: _____
 X = SPST-NO, Electrically Held
 P = SPST, Latching

Coil Voltage: _____
 E = 28 Vdc

Power Terminals: _____
 9 = Female Threads, .250-20

Mounting: _____
 7 = Panel Mount, Helcoil Locking

For factory-direct application assistance, dial 800-253-4560, ext. 2055, or 805-220-2055.

