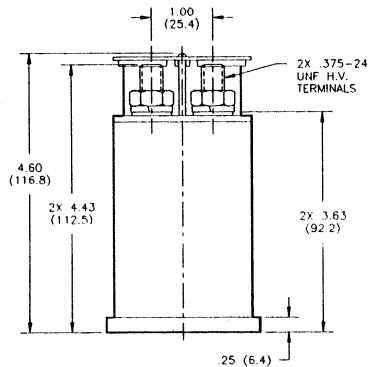
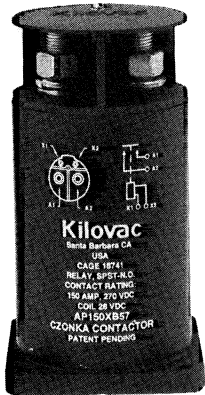


### KILOVAC AP150X (Form X, Electrically Held) and AP150P (Form P, Latching) 150 Amps ("CZONKA")

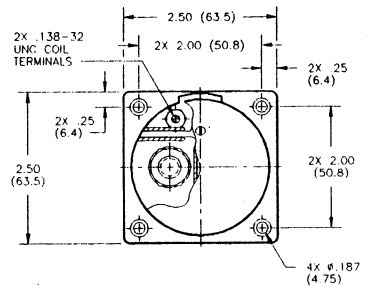
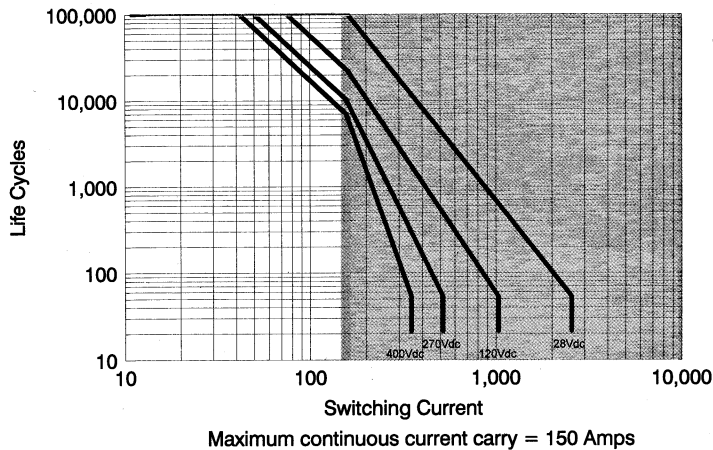


Note: Dimensions are expressed as inches (mm).

#### Features:

- 150 A carry, 500 A overload @ 270 Vdc
- Ideal for circuiting protection, control, and battery switching
- Versatile power, voltage, and current operating range
- Bi-directional switching
- Electrically held and latching coil versions
- Fast operate and release time
- Low power consumption
- Vacuum-sealed contacts; can operate in harsh environments
- Qualified to SAE ARD 50031 270 Vdc General Relay Spec.
- Space-rated version built in accordance with customers SCD.

#### CONTACT RATINGS\*



\* Based on data extrapolated from qualification at 270 Vdc with resistive load. Since each application is unique, user is encouraged to verify rating in actual application

#### PRODUCT SPECIFICATIONS

Part Number	UNIT	AP150X	AP150P
Contact Arrangement		SPST-NO	SPST
Contact Form		X	P
Rated Resistive Load @ 270 Vdc	A	150	150
Continuous Current Carry, Max.	A	150	150
Overload Make & Break @ 270 Vdc	A	400/500*	400/500*
Contact Resistance, Max.	mohm	1	1
Dielectric at Sea Level			
Power Terminals to Terminal	Vms	2,000	2,000
Power Terminals to all Other Points	Vms	1,800	1,800
Shock, 11ms 1/2 Sine (peak)	g	35	35
Vibration, Sinusoidal (55-2000 Hz, peak)	g	20	20
Operating Ambient Temperature Range	°C	-55 to +85	-55 to +85
Load Life, @ 270 Vdc, Min.	cycles	10,000	10,000
Operate Time (28 Vdc, 25°C)			
Close (includes bounce), typical	ms	35	15
Bounce (after close only), Max.	ms	8	5
Open (includes arcing), Max.	ms	10	15
Insulation Resistance @ 500 Vdc, Min.	Mohm	100/50	100/50
Initial/End of Life			
Weight, Nominal	pound (kg)	1.66 (0.753)	1.66 (0.753)

\* 500 = at beginning of life which is 0 to 5,000 cycles, 400 = at end of life which is 5,000 to 10,000 cycles

#### COIL DATA

Parameter	Units	Elec. Held	Latching
Voltage* (nominal)	Vdc	28	28
Pickup (close), max.	Vdc	23	20
Dropout (open), max.	Vdc	1.0	20
Coil Resistance	Omhs	52	13**
@ 25°C	10%		
Coil Duty, recommended		continuous	100ms to toggle
Coil Energy, max.	J	0.10	0.10
Coil Clamping		2.5 x nom.	500W/ms TVS

\* 12, 120Vdc, or other special coil voltages available upon request.  
\*\* 2 coils are used, both are high common. Switch coil power from low side. High side coil power switch is a special order.

#### PART NUMBER SELECTION

Sample Part No. **AP150**  **X**  **B**  **5**  **7**

Contact Form \_\_\_\_\_  
 X = SPST-NO Elec. Held  
 P = SPST, Latching

Coil Voltage \_\_\_\_\_  
 A = 12 Vdc, Stud Terminals, .138-32  
 B = 28 Vdc, Stud Terminals, .138-32  
 C = 120Vdc, Stud Terminals, .138-32

Power Terminals \_\_\_\_\_  
 5 = Stud Terminals, .375-24

Mounting \_\_\_\_\_  
 7 = Panel Mount