

## Feature

1. Carbon element
2. Switch option
3. Wide assortment of resistance tapers

## F-17 Molded Case Rotary Potentiometer

### Electrical characteristics

- Total Resistance.....100 Ω ~1M Ω
- Total Resistance Tolerance..... ± 20%
- Resistance Taper.....A,B,C,D
- Max.Operator Voltage.....Linear Taper B: AC 200V.Other Tapers:AC150V
- Rated Power.....Linear Taper B: 0.1W Other Tapers:0.05W
- Sliding Noise.....Less than 100mv
- Residual Resistance..... Term.1~2:Less than 10 Ω  
Term.2~3:Less than 10 Ω
- Switch Circuit.....S.P.S.T
- Switch Contact Resistance.....Less than 50m Ω
- Withstand Voltage.....1 Minute at AC 500V
- Switch Rated Power..... 1.0A at AC/DC 12V

### Mechanical characteristics

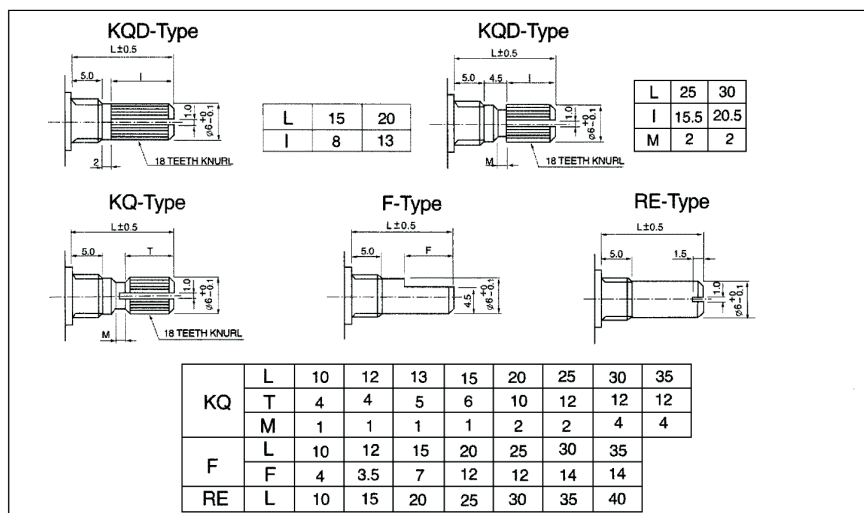
- Total Rotational Angle.....260° ±10°
- Rotational Torque.....20gf.cm~100gf.cm
- Switch Torque.....150gf.cm~450gf.cm
- Rotational Stopper Strength.....3.0kgf.cm Min.
- Push-Pull Strength..... 8.0kgf.cm Min
- Switch Rotational Angle.....30°±10°

### Durability

- Rotational Life.....10,000 Cycles

### Shaft illustration

Standard Dimensions of Shaft for F-17 Series.  
(Customer designs are welcomed)



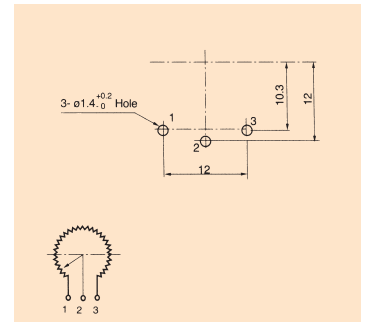
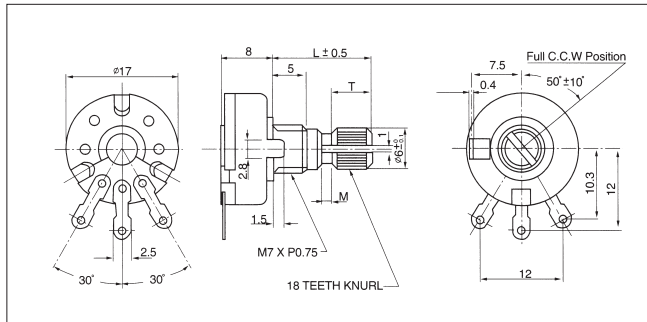
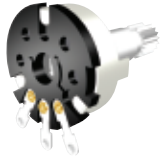


# F-17 Series (ø17.0mm)



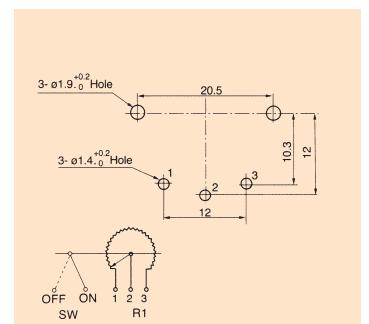
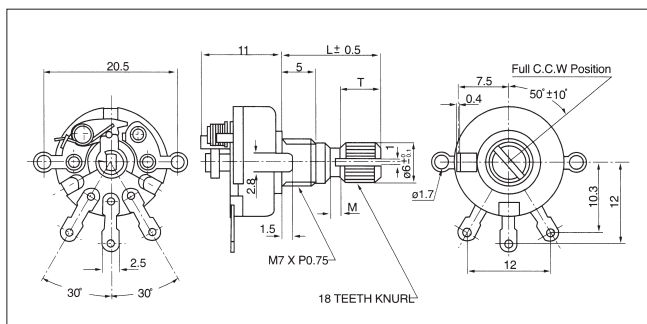
## F-17N

Standard Type, Single Unit



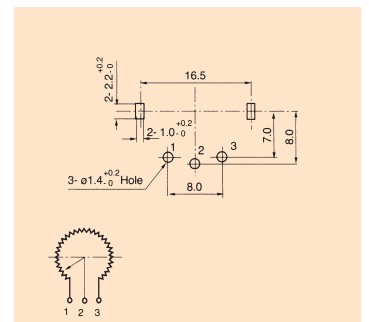
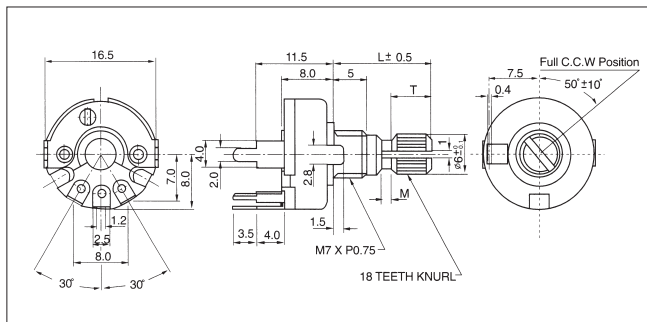
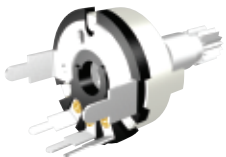
## F-17S

Standard Type with Switch, Single Unit



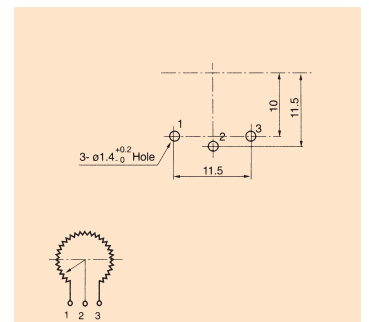
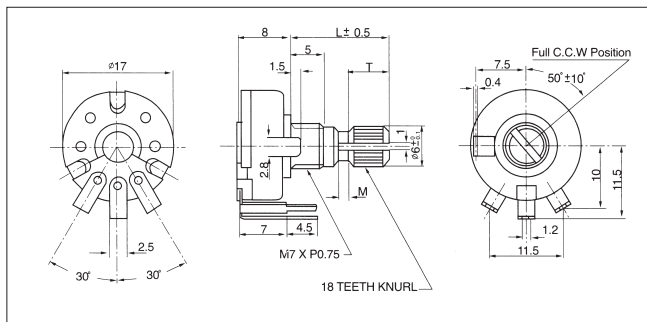
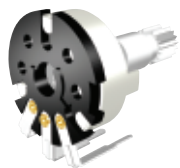
## F-17NP1

Horizontal Type, Single Unit



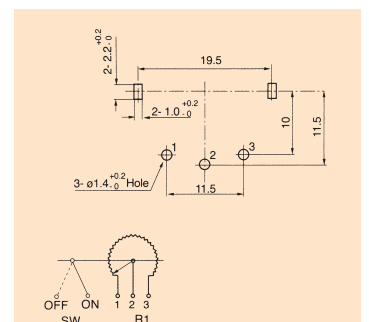
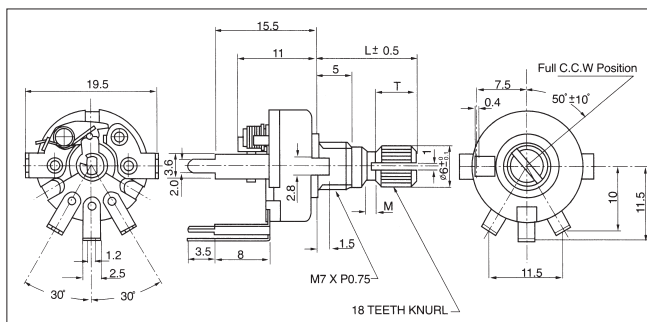
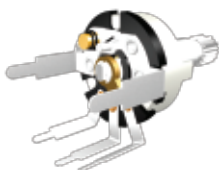
## F-17NPD

Reverse Type, Single Unit



## F-17SP

Horizontal Type with Switch, Single Unit



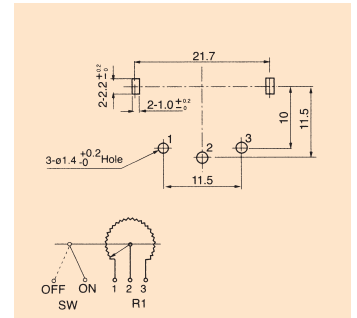
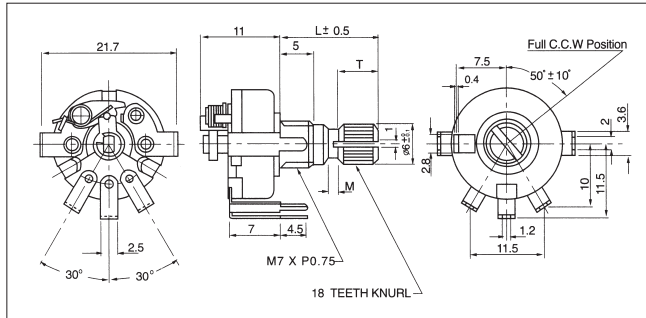


# F-17 Series (ø17.0mm)



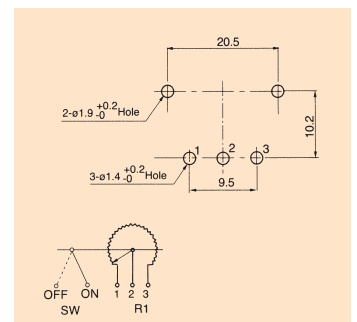
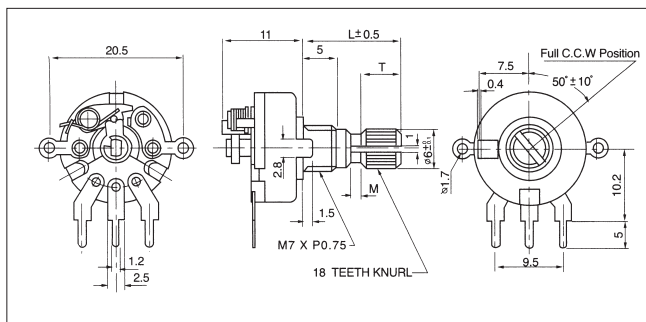
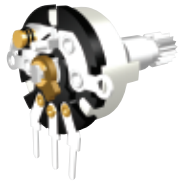
## F-17SPD

Reverse Type with Switch,  
Single Unit, P.C.B Terminal



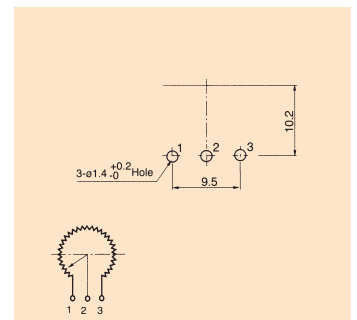
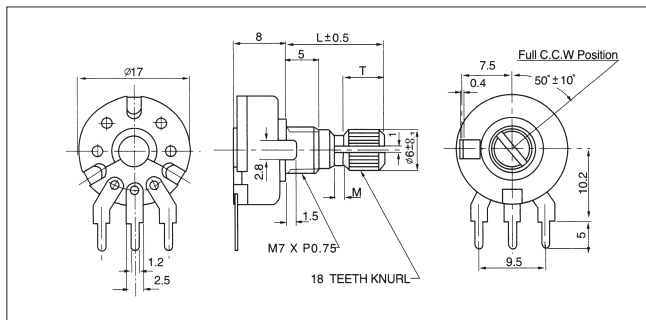
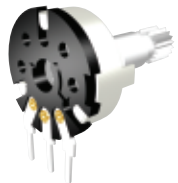
## F-17S2

Mixture Type with Switch,  
Single Unit, P.C.B Terminal



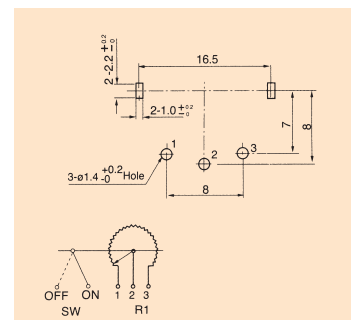
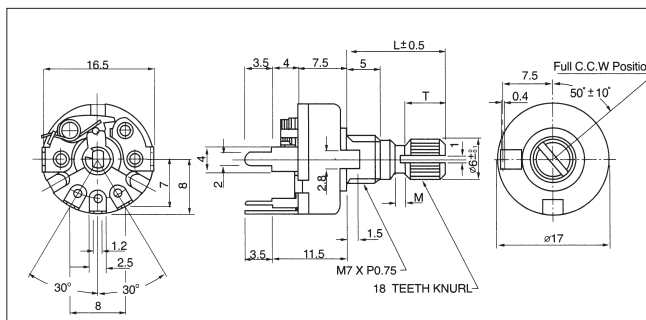
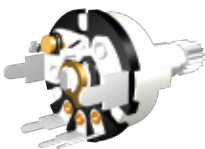
## F-17N2

Vertical Type, Single Unit  
P.C.B Terminal



## F-17SP1

Horizontal Type, Single Unit  
P.C.B Terminal



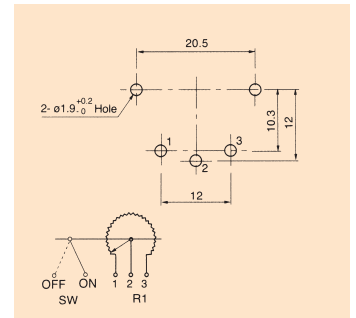
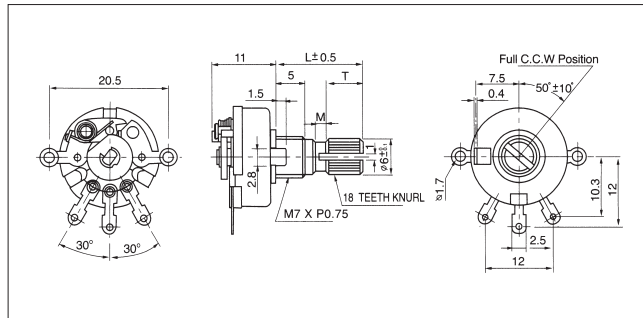


# F-17 Series (ø17.0mm)

## Rotary Potentiometer

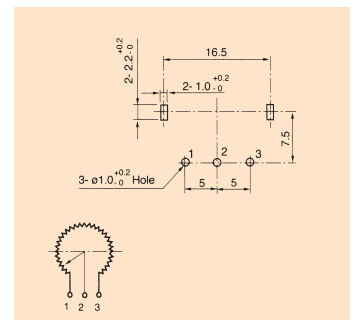
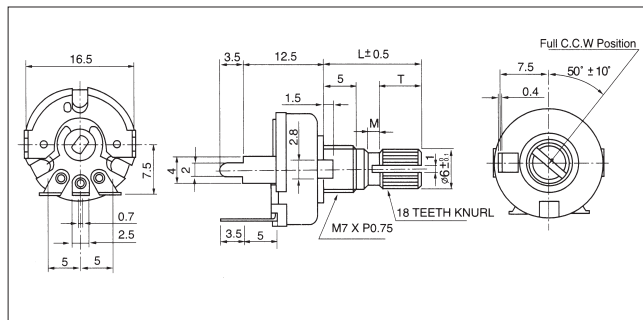
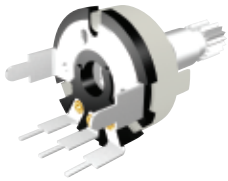
### F-17S-10

Vertical Type with Switch, Single Unit  
Solder Terminal.



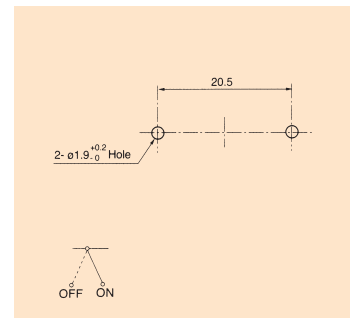
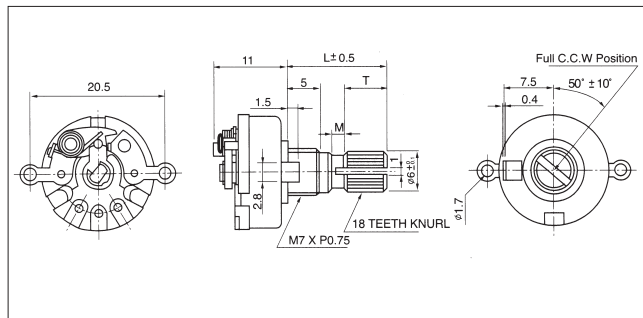
### F-17NP3

Horizontal Type, Single Unit.  
P.C.B. Terminal.



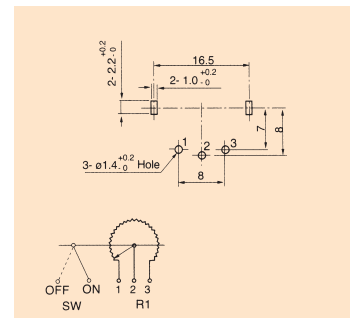
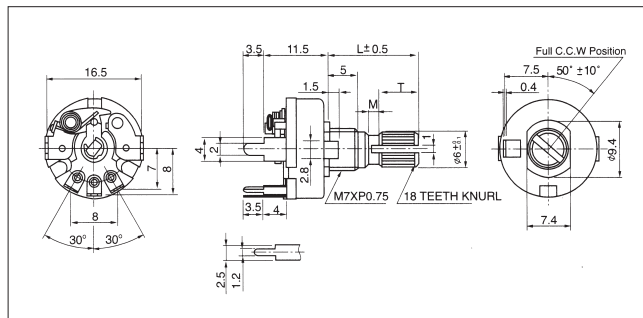
### F-17SW

Switch only,



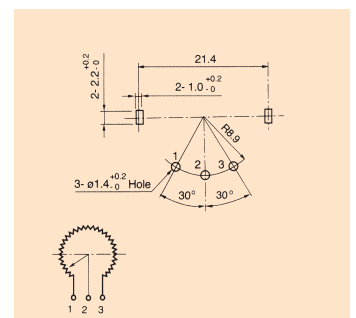
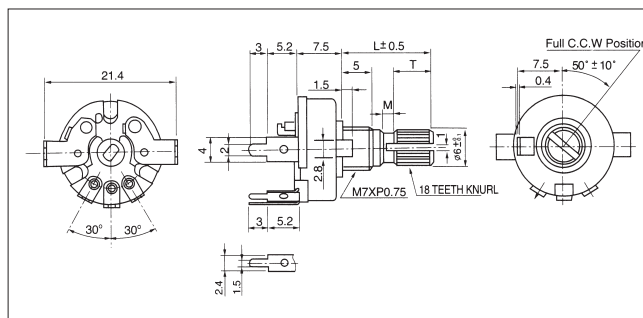
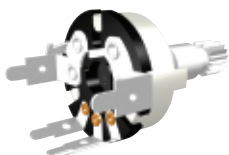
### F-17SP8

Horizontal Type with Switch,  
Single Unit, P.C.B. Terminal



### F-17SNP3

Horizontal Type, Single Unit,  
P.C.B. Terminal





# Part number system of mold case potentiometer

