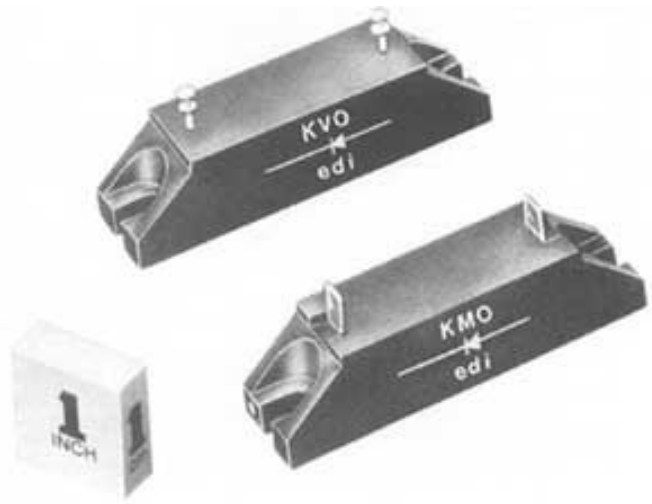




KMO KVO

HIGH VOLTAGE RECTIFIER ASSEMBLIES

- QUICK DISCONNECT TAB OR TURRET TYPE TERMINALS
- UNIVERSAL MOUNTING
- PRV 5,000 TO 15,000 VOLTS
- AVERAGE CURRENT TO 1 AMP



EDI Type No.	Peak Reverse Voltage PRV (Volts)	Max. Fwd. Volt. 25°C $I_F = 500 \text{ mA}$ V_F (Volts)	Avg. Rectified Current @ $T_c = 50^\circ\text{C}$ I_o (Amps)
KMO5 or KVO5	5,000	8	1.00
KMO8 or KVO8	8,000	11	1.00
KMO10 or KVO10	10,000	13	0.80
KMO12 or KVO12	12,000	15	0.80
KMO15 or KVO15	15,000	18	0.60

ELECTRICAL CHARACTERISTICS (at $T_A = 25^\circ\text{C}$ Unless Otherwise Specified)

Max. Peak One Cycle Surge (8.3 ms) I_{FSM}	50 A
Max. DC Reverse Current @ PRV, I_R	1 μA
Max. DC Reverse Current @ PRV and 100 °C, I_R	100 μA
Operating Temperature Range, T_A , (Fig. 1)	-55 °C to +150 °C
Storage Temperature Range, T_{STG}	-55 °C to +150 °C

- NOTE: 1. A thin film of silicone thermal compound is recommended between the bottom of the assembly and the mounting surface for improved thermal conduction.
2. Also available in fast recovery version KMOR and KVOR.
Contact the factory for further information.

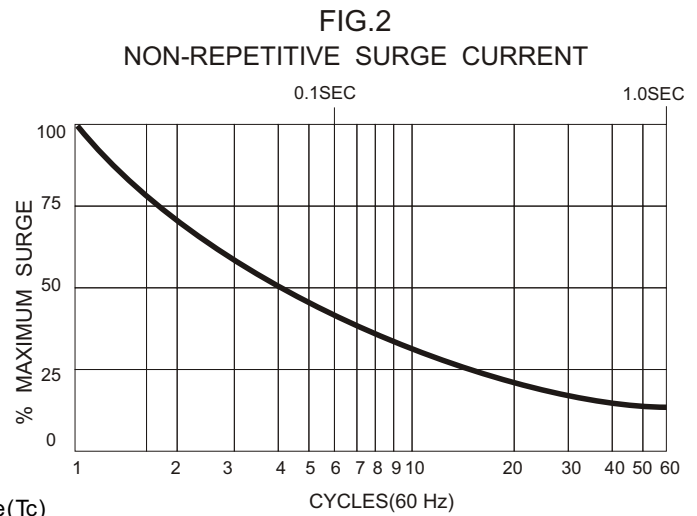
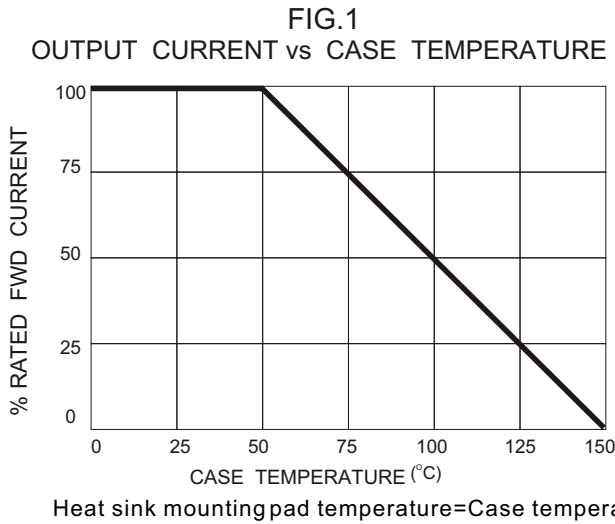
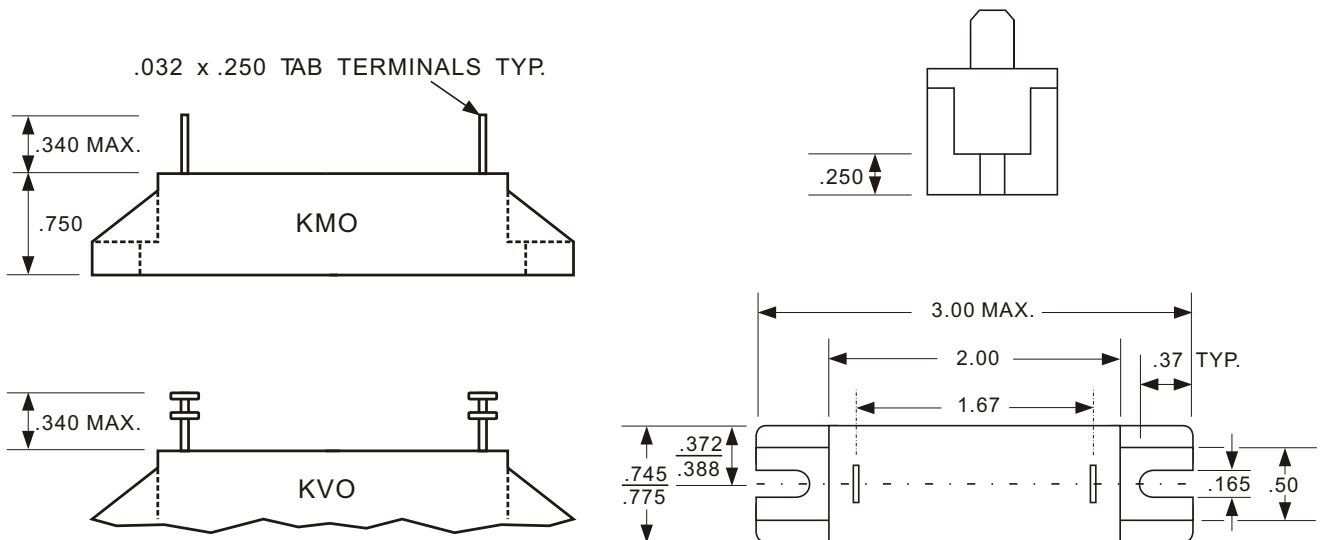


FIG.3
CASE OUTLINE
ALL DIMENSIONS IN INCHES



EDI reserves the right to change these specifications at any time without notice.