



TV

HIGH VOLTAGE SILICON RECTIFIERS

- SMALL SIZE MOLDED PACKAGE
- PRV 6,000 TO 20,000 VOLTS
- FAST RECOVERY
- AVALANCHE CHARACTERISTICS
- LOW LEAKAGE



EDI TYPE	PRV (VOLTS)	MAXIMUM FORWARD VOLTAGE DROP @5mA
TV 6	6,000	20
TV 8	8,000	25
TV 10	10,000	30
TV 12	12,000	38
TV 14	14,000	43
TV 16	16,000	50
TV 20	20,000	63

Average Rectified Forward Current @75 °C	5 mA
Max. Peak Surge Current (8.3ms) (Fig.2)	500 mA
Reverse Recovery Time(Fig 4)	100nSEC
Max. DC Reverse Current @ PRV and 25°C	2 μ A
Max. DC Reverse Current @ PRV and 100°C	50 μ A
Ambient Operating Temperature	-55°C to +125 °C
Storage Temperature Range	-55°C to +150 °C

EDI reserves the right to change these specifications at any time without notice.

FIG.1

OUTPUT CURRENT vs AMBIENT TEMPERATURE

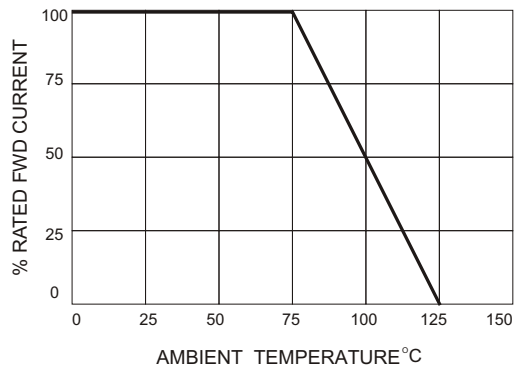


FIG.2

NON-REPETITIVE SURGE CURRENT

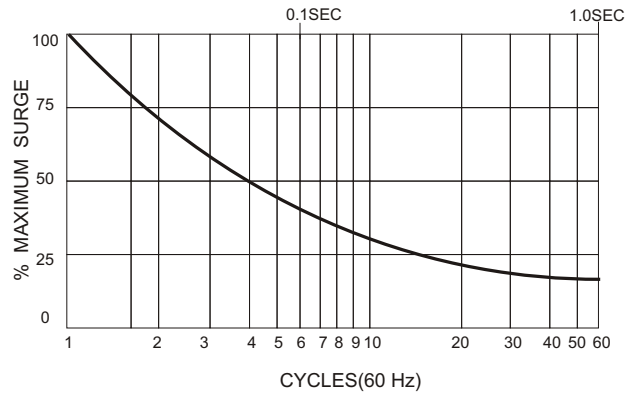


FIG.3

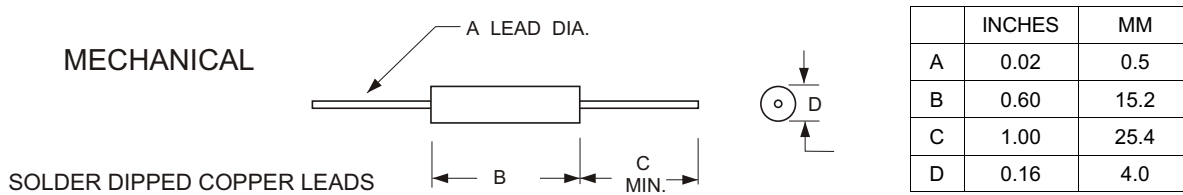
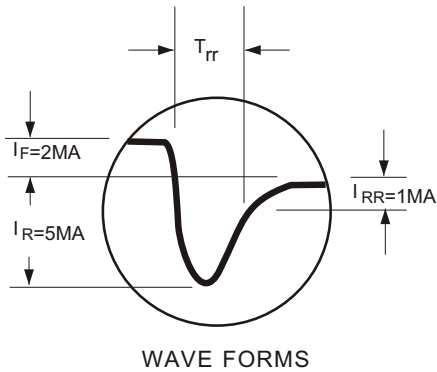


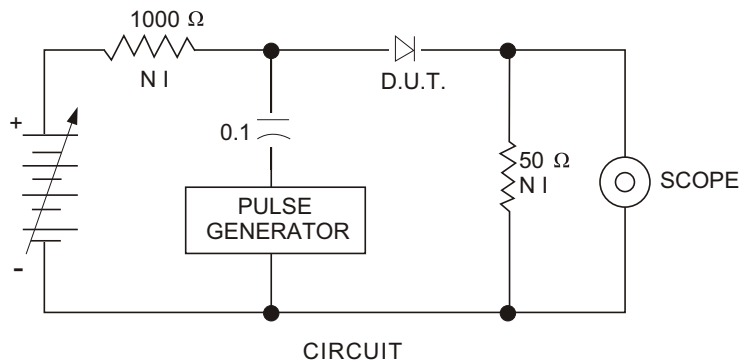
FIG.4

REVERSE RECOVERY TEST METHOD

RECOVERY WAVE FORM



RECOVERY TEST CIRCUIT



ELECTRONIC DEVICES, INC. DESIGNERS AND MANUFACTURERS OF SOLID STATE DEVICES SINCE 1951.

21 GRAY OAKS AVENUE * YONKERS, NEW YORK 10710 914-965-4400 * FAX 914-965-5531 * 1-800-678-0828

e-mail: sales@ediododes.com * website: <http://www.ediododes.com>