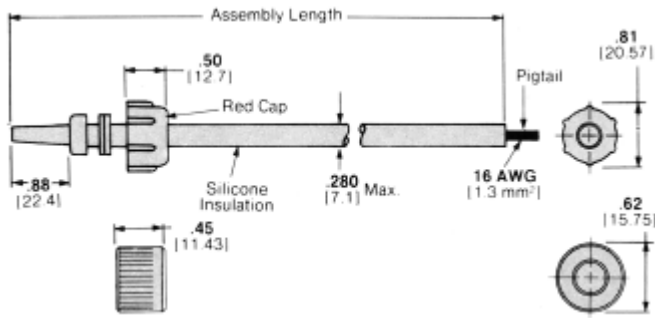
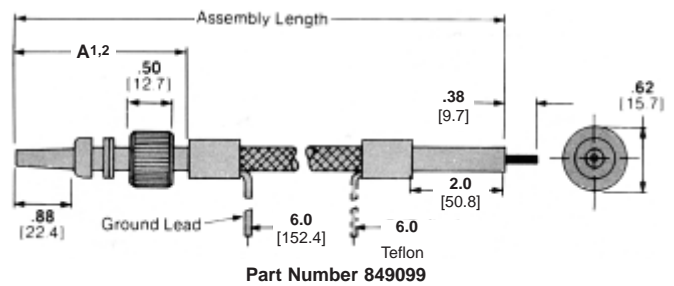


Single End Lead Assemblies



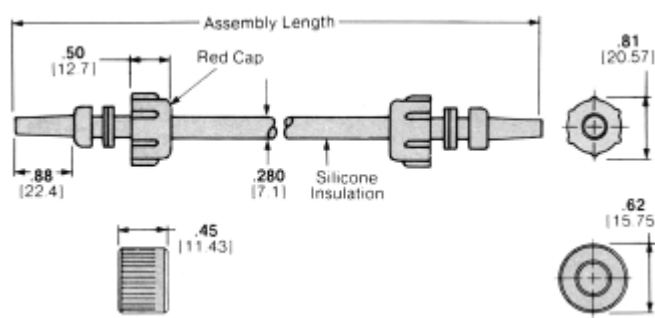
Part Number 837655 and 863701

Shielded Single End Lead Assemblies



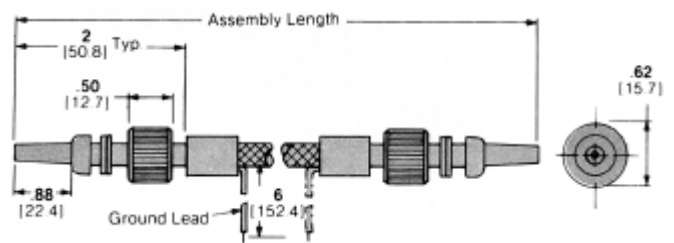
Part Number 849099

Double End Lead Assemblies



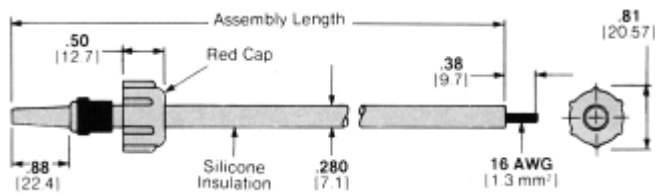
Part Number 830126 and 863702

Shielded Double End Lead Assemblies



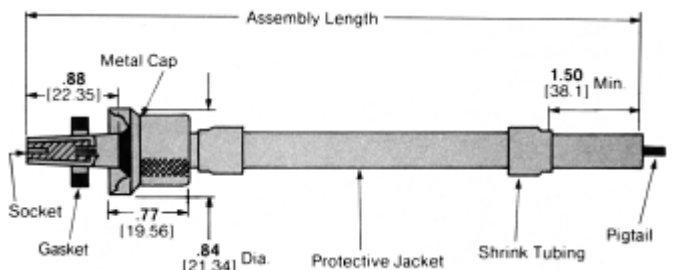
Part Number 849104

Single End Lead Assemblies with Positive Stop Ferrules



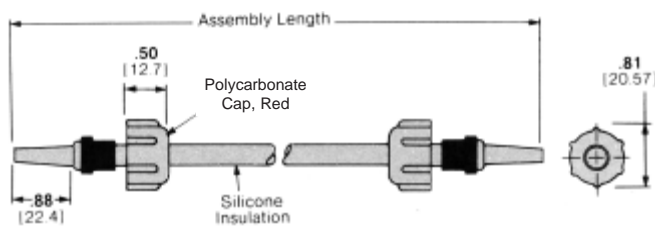
Part Number 862549 and 863703

RFI Shielded Single End Lead Assemblies*



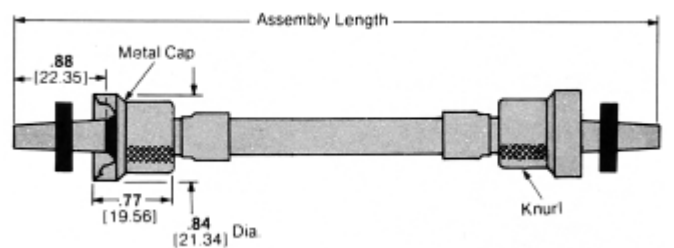
Part Number 861811

Double End Lead Assemblies with Positive Stop Ferrules



Part Number 862550

RFI Shielded Double End Lead Assemblies*



Part Number 861812

TEFLON is a trademark of E. I. DuPont de Nemours and Company.

* These RFI Shielded Lead Assemblies mate with Receptacle Part Number 861254-1.

LGH Lead Assemblies and Receptacles, 20 KVDC, LGH 1 (Continued)

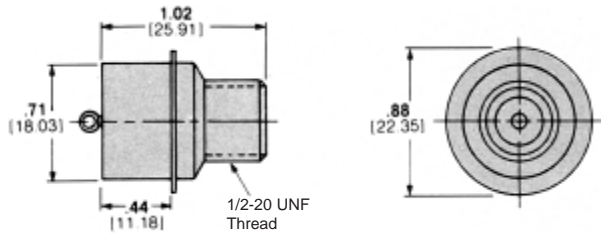
Lead Assemblies (Continued)

Description	Assembly Length	Part Numbers						
		Polycarbonate Cap		Glass-Filled Polyester Cap		Glass Epoxy Cap		Metal Cap Non-RoHS
		Non-RoHS	RoHS	Non-RoHS	RoHS	Non-RoHS	RoHS	
Single End Lead Assemblies	6 152.4	837655-7	5837655-7	863701-7	—	—	—	
	12 304.8	1-837655-1	1-5837655-1	1-863701-1	1-5863701-1	—	—	
	18 457.2	1-837655-0	1-5837655-0	1-863701-0	—	—	—	
	24 609.6	837655-8	—	863701-8	5863701-8	—	—	
	36 914.4	837655-5	5837655-5	863701-5	5863701-5	—	—	
	48 1219.2	1-837655-3	1-5837655-3	1-863701-3	1-5863701-3	—	—	
Double End Lead Assemblies	6 152.4	—	—	863702-2	—	830126-2	—	
	12 304.8	1-830126-3	—	1-863702-3	—	—	—	
	18 457.2	1-830126-2	—	1-863702-2	—	—	—	
	24 609.6	1-830126-6	—	1-863702-6	—	—	—	
	36 914.4	1-830126-7	—	1-863702-7	—	—	—	
	48 1219.2	2-830126-1	—	2-863702-1	—	—	—	
Single End Lead Assemblies (with Positive Stop Ferrules)	6 152.4	862549-1	—	863703-1	—	—	—	
	12 304.8	862549-4	5-862549-4	863703-4	—	—	—	
	18 457.2	862549-6	—	863703-6	—	—	—	
	24 609.6	862549-8	—	863703-8	—	—	—	
	36 914.4	862549-9	5-862549-9	863703-9	—	—	—	
	48 1219.2	1-862550-3	—	—	—	—	—	
Double End Lead Assemblies (with Positive Stop Ferrules)	6 152.4	862550-1	—	—	—	—	—	
	12 304.8	862550-4	—	—	—	—	—	
	18 457.2	862550-6	—	—	—	—	—	
	24 609.6	862550-8	—	—	—	—	—	
	36 914.4	862550-9	—	—	—	—	—	
	48 1219.2	1-862550-3	—	—	—	—	—	
Shielded Single End Lead Assemblies	6 152.4	—	—	—	—	849099-7 ¹	—	
	12 304.8	—	—	—	—	1-849099-2 ¹	—	
	18 457.2	—	—	—	—	849103-5 ²	5-849103-5 ²	
	24 609.6	—	—	—	—	849099-9 ¹	—	
	36 914.4	—	—	—	—	849103-1† ²	—	
	48 1219.2	—	—	—	—	849099-4 ¹	—	
Shielded Double End Lead Assemblies	18 457.2	—	—	—	—	1-849104-5	—	
	24 609.6	—	—	—	—	849104-1	—	
	36 914.4	—	—	—	—	1-849104-6*	—	
	48 1219.2	—	—	—	—	1-849104-7	6-849104-7	
	12 304.8	—	—	—	—	1-849104-9*	—	
	18 457.2	—	—	—	—	849104-3	5-849104-3	
RFI Shielded Single End Lead Assemblies**	12 304.8	—	—	—	—	—	861811-1	
	18 457.2	—	—	—	—	—	861811-4	
	24 609.6	—	—	—	—	—	861811-5	
	12 304.8	—	—	—	—	—	861812-1	
RFI Shielded Double End Lead Assemblies**	18 457.2	—	—	—	—	—	861812-4	
	24 609.6	—	—	—	—	—	861812-3	
	36 914.4	—	—	—	—	—	861812-2	
	48 1219.2	—	—	—	—	—	861812-2	

*Two ground leads, 6 [152.4] each.
 **These RFI Shielded Lead Assemblies mate with Receptacle Part Number 861254-1.
 †One ground lead, terminated end only. ¹A dim. 3.0 [76.2]. ²A dim. 2.0 [50.8].

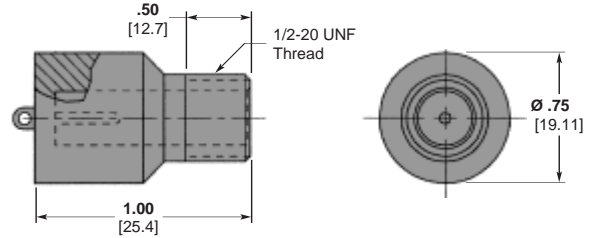
Glass-Epoxy Receptacles with .88 [22.35] Barrel Depth

Flanged, for Hermetic Seal
Part Number 861254-1
RoHS Part Number 5-861254-1
Weight — 5 grams

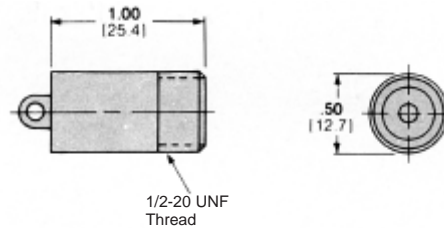


These receptacles are for use with RFI Shielded Lead Assemblies shown on the preceding page.

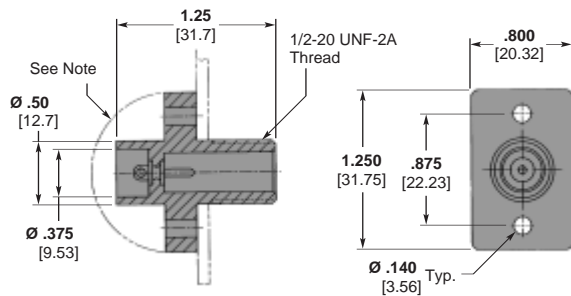
Molded Receptacle
Part Number 850306-3
RoHS Part Number 5-850306-3



For Encapsulated Units
Part Number 834333-2
RoHS Part Number 5-834333-2
Weight — 4 grams

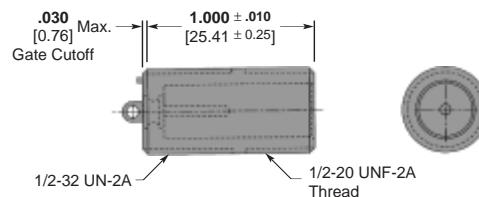


Bulkhead Receptacle
Part Number 449690-1
RoHS Part Number 5-449690-1

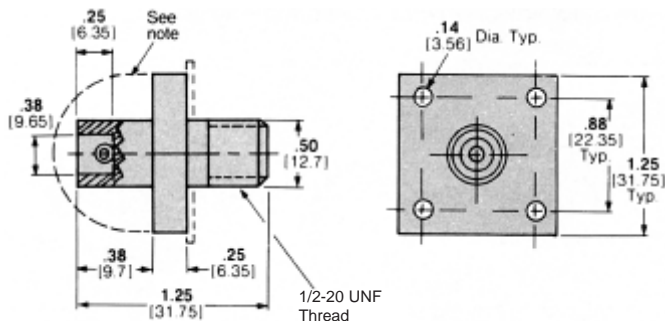


Note: Customer must protect back end against arc-over and breakdown if bulkhead and mounting hardware are metallic and at ground potential.

Special Receptacle
Part Number 448463-1

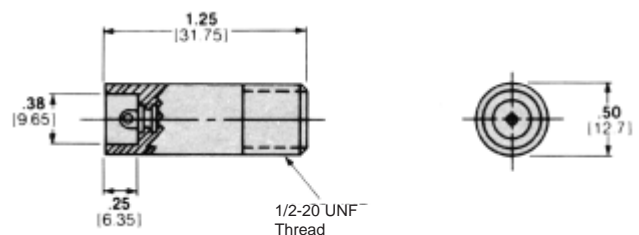


Flanged, Bolt Mount
Part Number 858827-1
RoHS Part Number 5-858827-1
Weight — 16 grams



Note: If the panel or mounting hardware is at ground potential, guard against arc-over and breakdown within the area defined by this line.

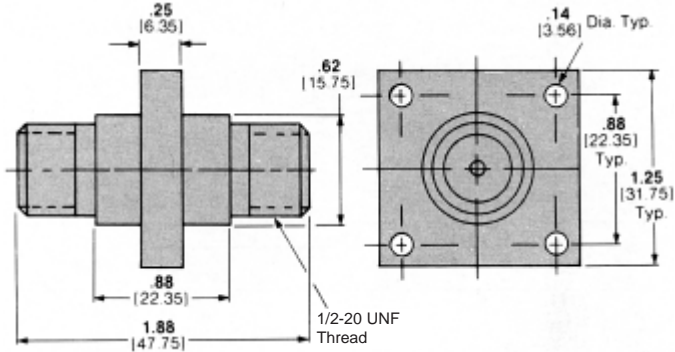
With Recessed Terminal for Encapsulated Units
Part Number 849610-3
RoHS Part Number 5-849610-3
Weight — 5 grams



Receptacles are available with gold plated contacts.

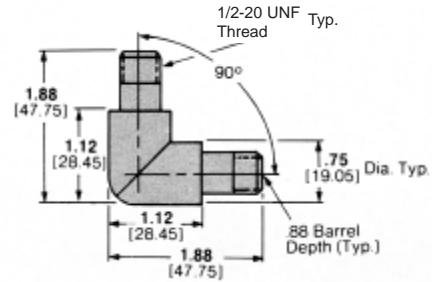
Glass-Epoxy Receptacles with .88 [22.35] Barrel Depth
(Continued)

Bolt Mount, Feed-Through
Part Number 846793-1
Weight — 23 grams



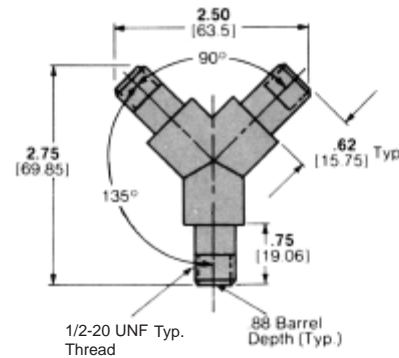
L-Shape Receptacles with .88 [22.35] Barrel Depth

Splice
Part Number 849662-1 —
Tin Plated Pins

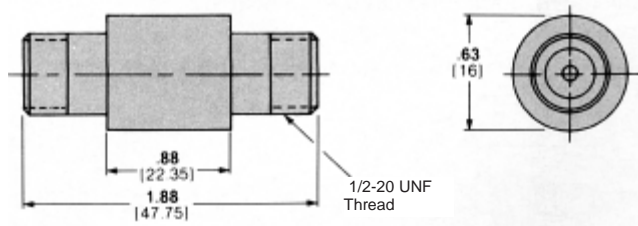


Y-Shape Receptacles with .88 [22.35] Barrel Depth

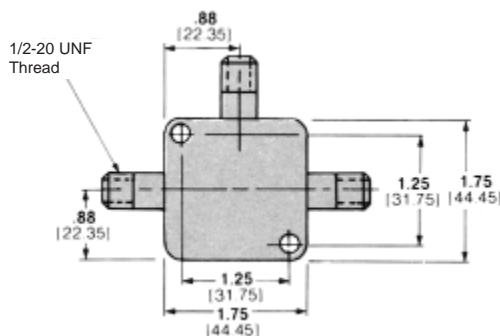
Splice
Part Number 849693-1 —
Tin Plated Pins



Splice
Part Number 830149-1
Weight — 10 grams

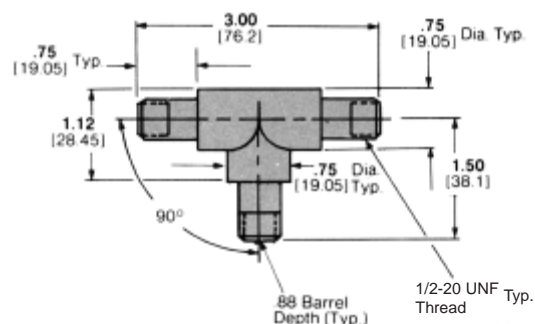


T-Shape Connector
Part Number 836674-1
RoHS Part Number 5-836674-1
Weight — 100 grams



T-Shape Receptacles with .88 [22.35] Barrel Depth

Splice
Part Number 849671-1 —
Tin Plated Pins



Receptacles are available with gold plated contacts.