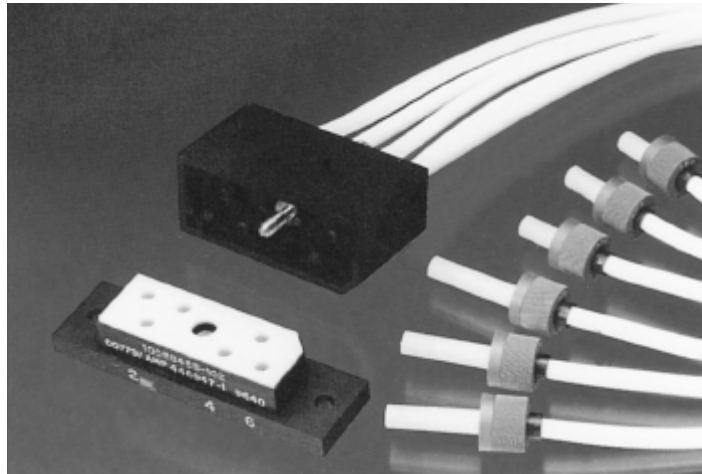


Various Specials

Product Facts

6 Position LGH Connector

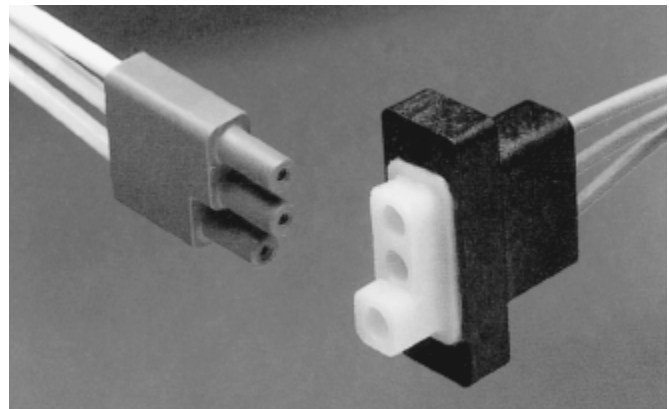
- Laser gyro inertial reference systems application
- Extremely rugged construction
- High flexibility silicone leads
- Size 22 contacts
- No adhesives or potting materials used
- 10,000 volts DC max. operating voltage



6 Position LGH Connector

3 Position LGH Compact Flange Mounted Connector

- Military counter measure systems application
- Missile guidance systems application
- Ultra small diameter silicone coated TEFLON wire insulation
- Size 22 contacts
- Plug is available as a kit or with flying leads
- 5,000 volts DC max. operating voltage



3 Position LGH Connector

6 Position LGH Connector brings high voltage to the circuit board

6 LGH leads, insert molded into a glass epoxy housing with a sturdy, center male screwlock form the plug of this extraordinary printed circuit connector system.

3 Position LGH Compact Flange Mounted Connector

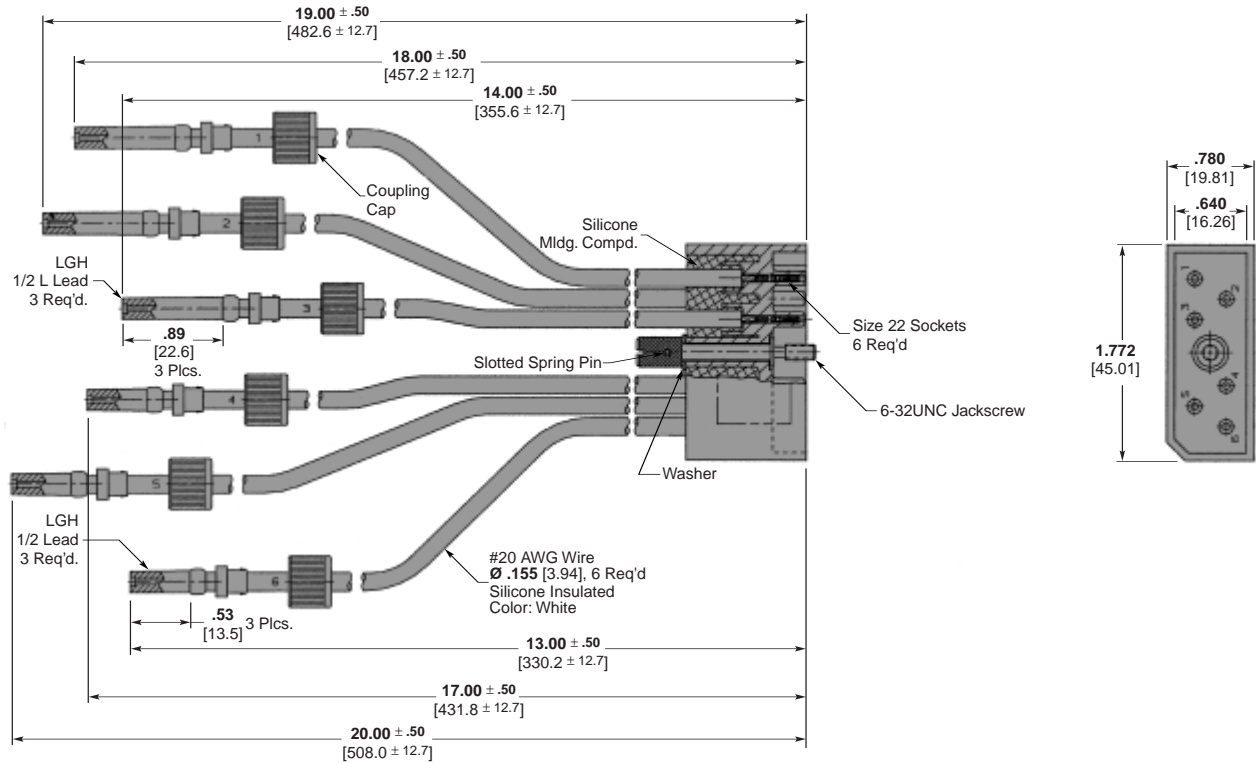
Three molded in flying leads in an extremely tough liquid crystal polymer flanged housing make up the receptacle of this compact high performance high voltage connector.

Performance Specifications

- Operating Temperature Range — -67°F to +257°F [-55°C to +125°C]
- Operating Altitude Range — Sea level to 70,000 ft [21336 m].
- Operating Current — 5 amps max. Polarized interface to assure correct mating

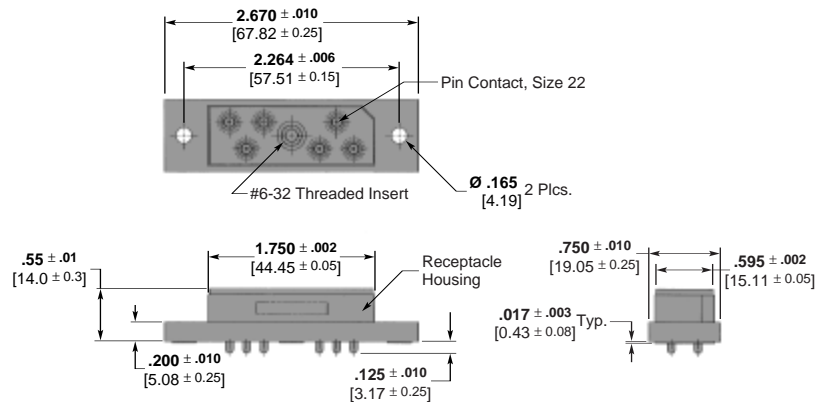
TEFLON is a trademark of E. I. DuPont de Nemours and Company.

6 Position, 10 KVDC Receptacle, with LGH 1/2 L and LGH 1/2 Positive Stop Leads



Part Number 446775-1

6 Position, Rectangular Receptacle



Part Number 446947-1