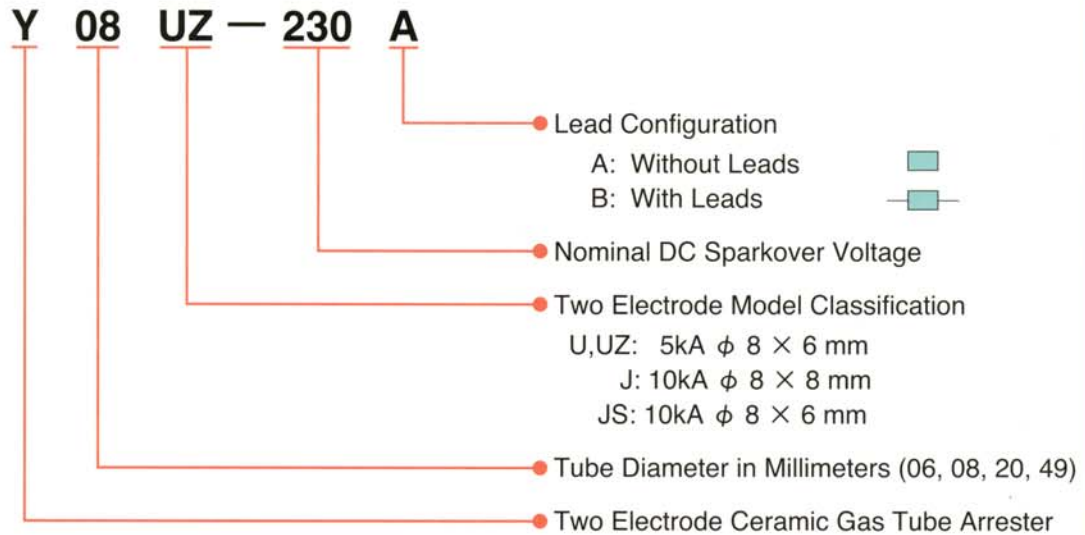


# Standard Part Number Definitions

## Two Electrode Arresters

■ Example: Part Number Y08UZ-230A



## Three Electrode Arresters

■ Example: Part Number 3H-230J1F5

